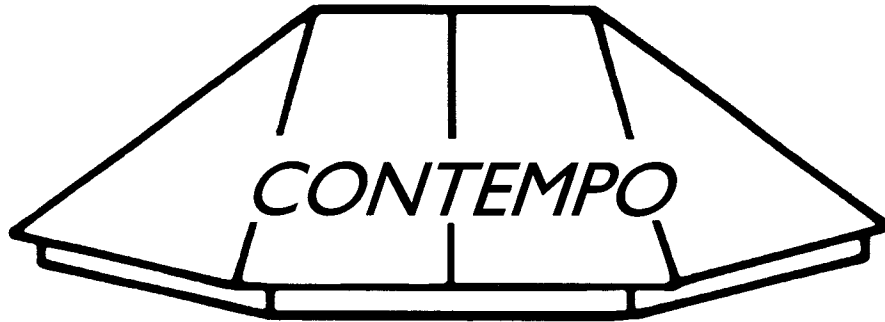


**DecoRoof™**



---

## INSTALLATION INSTRUCTIONS

NOTE: READ ALL OF THESE INSTRUCTIONS BEFORE YOU START!

---

**BEFORE UNPACKING YOUR DECOROOF ENSURE YOU HAVE THE PROPER DECOROOF FOR YOUR WINDOW!** Check the roof dimensions listed on the Box. **For Bays:** Check to see that the **Angle** and the **Projection** measurements match those ordered. **For Bows:** Check to see that the **Bow Angle** and the **number of panels** match what was ordered. If you ordered a DecoRoof for a manufactured Bay or Bow window, the model number of that window should be listed on the box. If the dimensions and/or model numbers do not match those ordered, your roof may be the wrong size and cannot be installed. Contact your supplier immediately before going any further.

**BRICK OR MASONRY INSTALLATIONS:** If this roof was ordered to fit against the face of the brick or other masonry, you will find counter flashings packed with the roof inside the carton. The roof cannot be used against the face of brick or other

masonry without some sort of counterflashing. If you also have a **BRICK SOFFIT KIT** for this particular window model, then the counterflashings will be inside that kit. These kits will always be in a separate carton.

**TOOLS:** #2 Phillips screwdriver, caulking gun, drill with a  $\frac{3}{32}$ " bit, metal snips.

**PARTS NUMBERING:** All panels and major parts are marked on the back. Panel numbers and parts read from left to right as seen from the front. Most roofs will have three (1-2-3) or four (1-2-3-4) panels. Center panels for BAY roofs are marked "CP" and are interchangeable with each other. For example, a five-panel roof will be marked 1-2-CP-3-4, and a six panel roof will be marked 1-2-CP-CP-3-4. **BOW** roof panels are numbered sequentially; that is, 1-2-3 for a three panel bow roof, and 1-2-3-4-5 for a five panel bow.

### ATTENTION!

If your roof has the clear or opaque protective film, do not remove it. This plastic film protects the finish during installation and construction and should be removed only after these processes are completed. This film must be removed within 2 weeks of installation. Prolonged exposure to UV rays from the sun makes later removal extremely difficult.

To properly install your DecoRoof, complete the followings steps in order.

**1) INSTALL THE VINYL MOUNTING STRIPS:**

Start with the left flanker mounting strip (#1), place it on the top outer edge of the window frame above the left-hand flanker window. If your window uses brickmold or casing, the mounting strip mounts to the top outer edge. Carefully drill through the mounting assembly and into the window frame, then screw the strip into place, using the 1/2" #8 stainless steel screws provided. Approximately one screw every 10" with one on each end of the strip should suffice. (See **Figure #1**)

Repeat this step for all other mounting strips from left to right. The ends of the strips should just about touch each other, but should **NOT** overlap. When this is finished, lightly silicone the joint wherever the mounting strips come together.

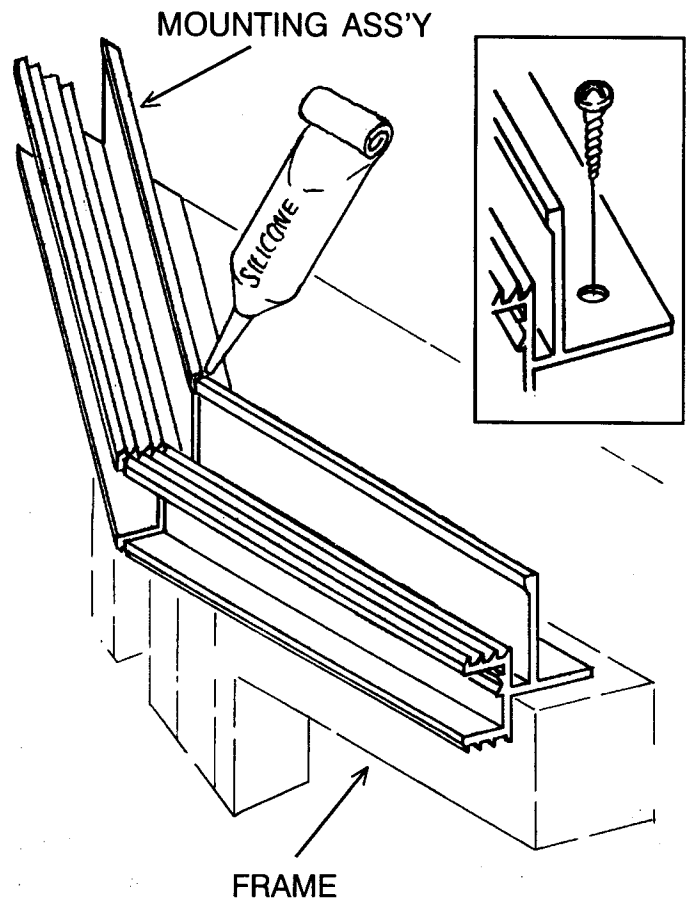
**2) INSULATION:** Apply any insulation before installing the roof. Position the insulation so that it allows the roof to sit snugly on the top of the window and smooth against the wall.

**3) INSTALLING THE PANELS:** Starting with the left #1 flanker panel, insert the bottom panel flange into the slot of the vinyl mounting strip, making sure that the flange seats solidly in the bottom of the slot and that the panel flashings fall smoothly against the wall. Working from the left flanker to the right, install the rest of the roof panels in numerical order. Each subsequent panel will fit in the "J" channel of the previous one. The last panel installed will be the one next to the right flanker panel. This panel has straight gussets on both sides that will fit into the "J" channels of both the preceding panel and the right flanker panel.

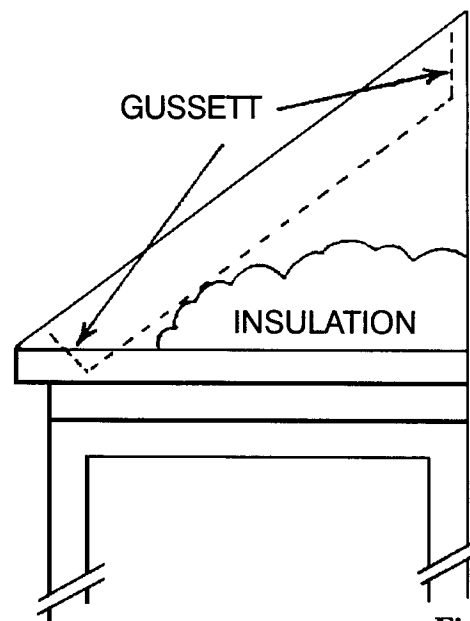
**FOR EXAMPLE**

*A 4-panel roof would install #1 first (The left flanker), then the #2 panel, followed by #4 (The right flanker), and last the #3 panel.*

*A 5-Panel roof would install #1 first (The left flanker), followed by the #2 and #3 panels, then the #5 (The right flanker), and last the #4 panel.*



**Figure #1**



**Figure #2**

**4) FASTENING THE ROOF IN PLACE:** Fasten the panel flanges to the vinyl mounting strips. Hold the roof panels down into the mounting strips and drill through the "V" groove in the vinyl mounting strip and the roof flange as indicated in "Figure 3". Then secure using the 1/2" #8 stainless steel screws provided. Use approximately three screws per panel. (One of each end and one in the center.) Continue until all panels are secured. (See Figure #3)

**5) SEAL THE PANEL SEAMS:** With the panels placed together the gussets will form a "T" where the panels meet. Run a bead of silicone starting from the top of the seam from the flashing and continue down the full length of this panel seam on the top of the "T" making sure to force silicone down into the seam. Also make sure you include both the "nose" and the "overhang." The vinyl rib retainers and metal ribs will cover these joints when the installation is finished, so be thorough. Be sure to force silicone into all the seams, do not just "lay it on top," this is what weatherproofs the unit.

**6) INSTALL THE VINYL RIB RETAINERS:** Starting from the left, take the #1 vinyl rib retainer used for the panel seams and slide it onto the "T" made by the panel gussets of the left side panel junction. Slide the retainer up so that it ends up about 1/2" up from the "nose." Repeat this procedure for the remaining rib retainers, working in order from left to right, until all of them are installed.

Start with one of the 1 1/2" retainers that attach to the "nose" of each panel seam. Using the 1 1/4" stainless steel screws, screw the vinyl piece into the seam through the hole provided. (See Figure #3) Snug it up, making sure that the screw-head is below the outside surface of the vinyl. Repeating this same procedure, install the rest of the "nose" pieces.

**7) FASTENING TO THE WALL:** Next attach the panels to the wall using the 1/2" #8 stainless steel screws provided. Use 3-4 screws for the flanker panels and two for each miter or center panel, screwing them through the flashing and into the wall. For masonry applications, use your choice of masonry anchors (not provided) to attach the flashings to the wall. Continue until all the panels are fastened to the wall.

(See Figure #3)

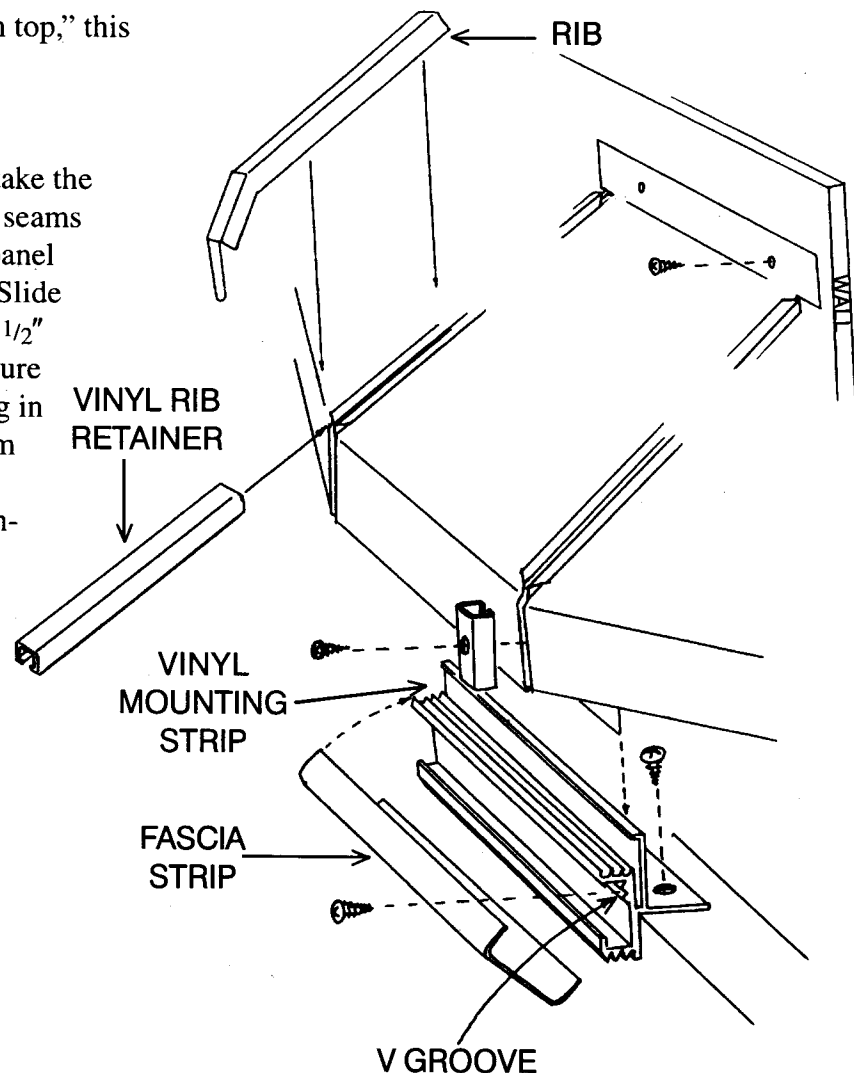


Figure #3

**8) INSTALL THE METAL RIBS:** Lightly silicone the inside of the metal ribs before installing them to the vinyl rib retainers. Starting at the nose, press the rib onto the vinyl rib retainer. It should “snap” into place. Next, press the rest of the rib into place, working from the bottom up. Repeat this procedure for the remaining ribs. *(Note: The top of each rib is left unfinished so that it may be cut to length to fit various types of siding. If it must be cut, metal snips do the best job.)* **(See Figure #3)**

**9) INSTALLING THE FASCIA STRIPS:** Run a small bead of silicone along the inside corners of the #1 fascia channel. Carefully press it into place over the corresponding mounting strip. Bend the end tab if necessary to form around the angle of the vinyl mounting strips. Repeat this procedure for the right “flanker” fascia piece denoted by the same number as the corresponding flanker panel. Then continue with the remaining fascia channels starting with #2 and working your way to the right until finished.

**For Bows:** One of the fascia channels has no tabs. Save this one for last. Follow the same steps as installing the fascia for bay units, installing the two flanker pieces, (or ends) then working from left to right, saving the fascia piece without tabs for last, so all of the tabs are covered. **(See Figure #3)**

**10) INSTALLING THE SIDING:** On conventional installations, apply the siding over the flashing and up to the roof slope.

**11) REMOVE THE PROTECTIVE FILM:** After all the danger from construction hazards has passed, peel off the protective plastic film. The acrylic latex adhesive should peel away easily. It may be necessary to score the protective film of the roof with a razor knife if the siding is up tight to the unit. This will make removal of the protective film easier. *(Note: It may be prudent to peel back the film only a few inches around the roof and caulk before removing the film entirely.)*

**12) CAULKING INSTRUCTIONS:** Now that your DecoRoof is completely installed, caulk around the entire perimeter of your roof wherever the siding meets the roof and any other areas that seem necessary. This helps to weatherproof your DecoRoof so be thorough.

## **CONGRATULATIONS! Your DecoRoof is now completely installed.**

**CARE OF THE COPPER ROOF:** If your roof is copper, you will find a separate sheet on the care and maintenance of copper, included in your kit. It tells you about the normal aging process that unprotected copper undergoes, as well as a variety of methods you can use to protect against aging should you choose to keep the copper finish always looking new.

**For installation or technical problems,  
please contact our Tech Support Team at 800-326-5355.**

